

K-Tool, Inc.
 99 Enterprise Drive
 New Oxford, PA 17350
 www.ktoolinc.com
 E-Mail: info@ktoolinc.com
 Phone: 800-377-3056
 Fax: 717-624-4105

K-Tool, Inc. Distributor:



www.ktoolinc.com

**Buy any K-Tool, Inc. CBN Counterbore Tool
 and get 10 inserts FREE!**

When you reference promo code: **CBNFI**

**Special
 Offer**

Promo Code: **CBNFI**

Offer expires: 6/30/15

Items purchased under this
 promo are non-returnable!

Coolant thru standard

4 edges per insert

Extremely free cutting
 high positive geometry



Great for C.N.C. applications

No pilot to catch chips

Cuts a flat bottom within .001

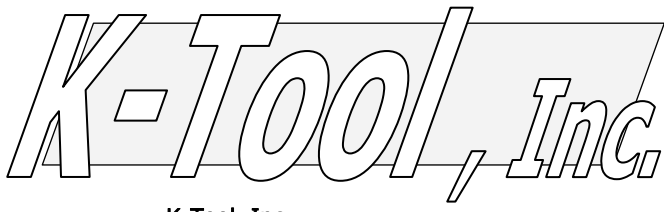
Inch sizes

Tool#	S.H.C.S. Size	Cutting Diameter	Tool Body List Price	10 Free Inserts	Promotion Savings
CBN-500	5/16	.500	\$211.00	SPEB-1511CB X33	\$96.50
CBN-594	3/8	.594	\$211.00	SPEB-221CB X33	\$91.00
CBN-687	7/16	.687	\$221.00	SPEB-221CB X33	\$91.00
CBN-781	1/2	.781	\$232.00	SPEB-2522CB X33	\$107.50
CBN-906	9/16	.906	\$239.00	SPEB-332CB X33	\$111.50
CBN-1000	5/8	1.000	\$243.00	SPEB-332CB X33	\$111.50
CBN-1187	3/4	1.187	\$263.00	SPEB-432CB X33	\$126.50
CBN-1375	7/8	1.375	\$268.00	SPEB-432CB X33	\$126.50
CBN-1625	1"	1.625	\$346.00	SPEB-532CB X33	\$169.00

Metric sizes

Tool#	S.H.C.S. Size	Cutting Diameter	Tool Body List Price	10 Free Inserts	Promotion Savings
CBN-11MM	M-6	.433	\$211.00	SPEB-1511CB X33	\$96.50
CBN-15MM	M-8	.590	\$211.00	SPEB-221CB X33	\$91.00
CBN-18MM	M-10	.709	\$221.00	SPEB-2522CB X33	\$107.50
CBN-20MM	M-12	.787	\$221.00	SPEB-2522CB X33	\$107.50
CBN-24MM	M-14	.945	\$239.00	SPEB-332CB X33	\$111.50
CBN-26MM	M-16	1.024	\$243.00	SPEB-332CB X33	\$111.50
CBN-29MM	M-18	1.142	\$249.00	SPEB-432CB X33	\$126.50
CBN-33MM	M-20	1.299	\$263.00	SPEB-432CB X33	\$126.50
CBN-38MM	M-24	1.496	\$273.00	SPEB-532CB X33	\$169.00
CBN-48MM	M-30	1.890	\$361.00	SPEB-6352CB X33	\$190.00

See page 2 for cutter Specifications



K-Tool, Inc.
 99 Enterprise Drive
 New Oxford, PA 17350
 www.ktoolinc.com
 E-Mail: info@ktoolinc.com
 Phone: 800-377-3056
 Fax: 717-624-4105

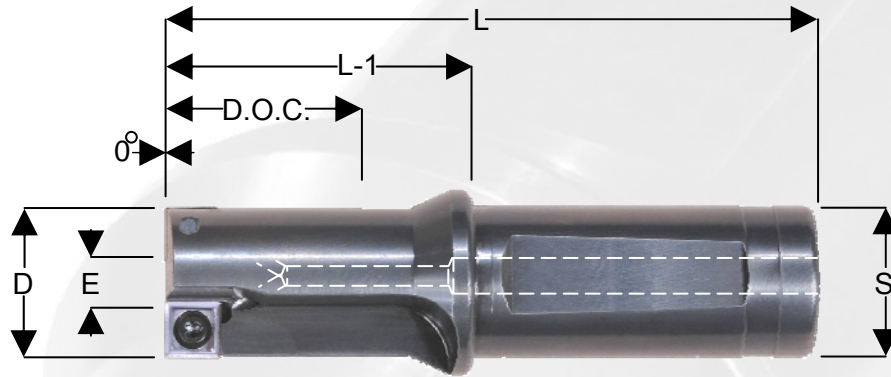


promo code: **CBNFI**

Offer expires: 6/30/15
 Items purchased under this
 promo are non-returnable!

Refer to page 1 for
 promotion details

CBN Specifications



Coolant Thru Standard

Same free cutting geometry as our Flat Bottom Drill!

Inch sizes

Tool#	S.H.C.S. Size	Flutes	D	E	L	L-1	D.O.C.	S	Insert	Screw	Wrench
CBN-500	5/16	2	.500	.180	2.812	1.062	.625	.500	SPEB-1511CB	164T	T-6
CBN-594	3/8	2	.594	.150	3.375	1.375	.750	.750	SPEB-221CB	300T	
CBN-687	7/16	2	.687	.240	3.500	1.500	.875	.750	SPEB-221CB	314T	T-8
CBN-781	1/2	2	.781	.260	3.625	1.625	1.000	.750	SPEB-2522CB		
CBN-906	9/16	2	.906	.260	4.000	1.750	1.125	1.000	SPEB-332CB	538T	T-10
CBN-1000	5/8	2	1.000	.360	4.125	1.875	1.250	1.000			
CBN-1187	3/4	2	1.187	.290	4.500	2.250	1.500	1.000	SPEB-432CB	638T	T-15
CBN-1375	7/8	2	1.375	.480	4.750	2.500	1.750	1.000			
CBN-1625	1"	2	1.625	.480	5.000	2.750	2.000	1.000	SPEB-532CB	838T	T-20

Metric sizes

Tool#	S.H.C.S. Size	Flutes	D	E	L	L-1	D.O.C.	S	Insert	Screw	Wrench
CBN-11MM	M-6	2	.433	.120	2.750	1.000	.563	.500	SPEB-1511CB	164T	T-6
CBN-15MM	M-8	2	.590	.150	3.250	1.250	.625	.750	SPEB-221CB	300T	T-8
CBN-18MM	M-10	2	.709	.188	3.500	1.500	.875	.750	SPEB-2522CB	314T	T-8
CBN-20MM	M-12	2	.787	.250	3.625	1.625	.937	.750			
CBN-24MM	M-14	2	.945	.290	4.000	1.750	1.156	1.000	SPEB-332CB	538T	T-10
CBN-26MM	M-16	2	1.024	.370	4.250	2.000	1.375	1.000			
CBN-29MM	M-18	2	1.142	.240	4.500	2.250	1.562	1.000	SPEB-432CB	638T	T-15
CBN-33MM	M-20	2	1.299	.390	4.625	2.375	1.625	1.000			
CBN-38MM	M-24	2	1.496	.350	5.000	2.750	2.000	1.000	SPEB-532CB	838T	T-20
CBN-48MM	M-30	2	1.890	.490	5.375	3.125	2.375	1.000	SPEB-6352CB	1012T	T-25